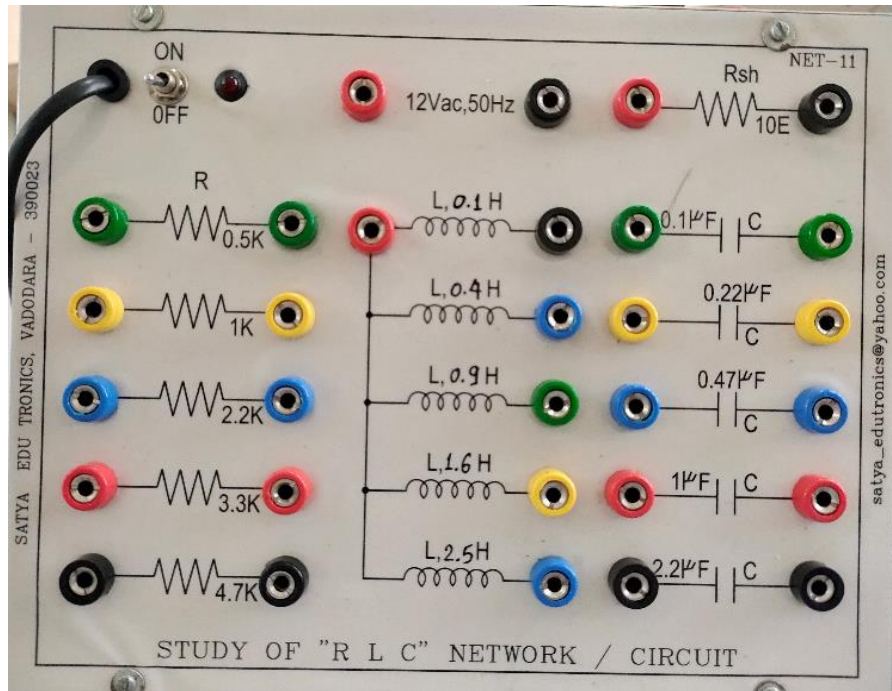




GOVERNMENT ENGINEERING COLLEGE, DAMAN
DEPARTMENT OF ELECTRICAL ENGINEERING
BASIC ELECTRICAL ENGINEERING LABORATORY

STUDY OF RLC CIRCUIT



Basic Details: -

SUPPLY: 1 phase 230 V, 50Hz

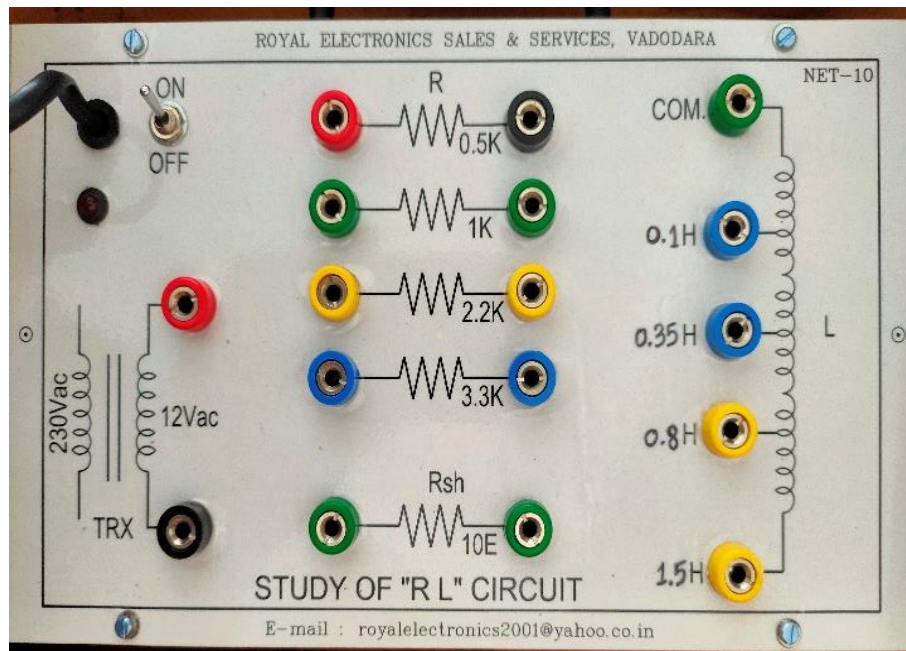
Resistance : 0.5 k Ω to 4.7k Ω

Study of RLC network circuit can be performed



GOVERNMENT ENGINEERING COLLEGE, DAMAN
DEPARTMENT OF ELECTRICAL ENGINEERING
BASIC ELECTRICAL ENGINEERING LABORATORY

STUDY OF RL CIRCUIT



Basic Details: -

SUPPLY: 1 phase 230 V, 50Hz

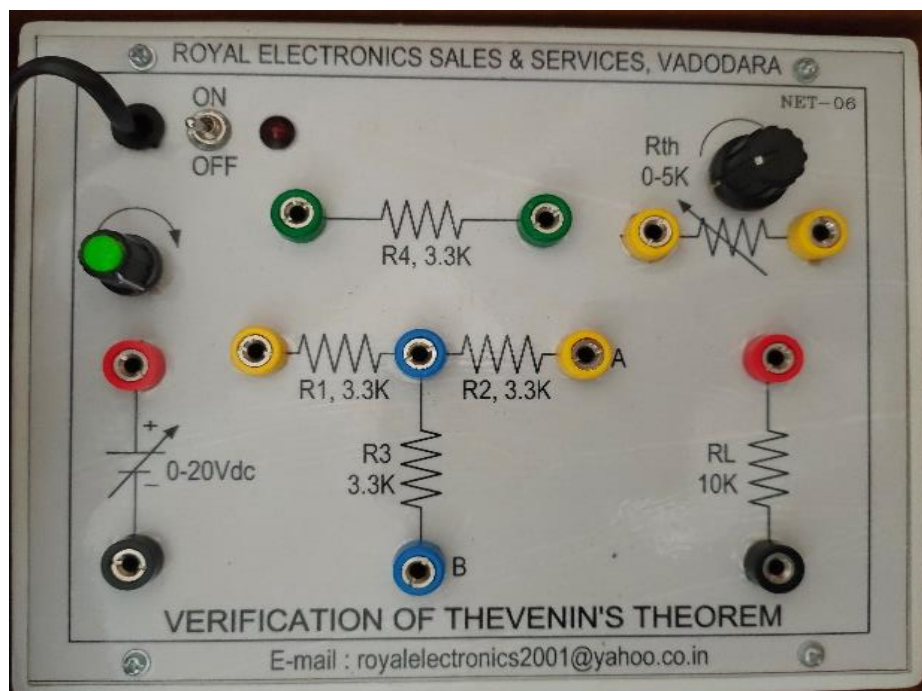
Resistance : 0.5 k Ω to 3.3k Ω

Study of RL Network circuit can be performed.



GOVERNMENT ENGINEERING COLLEGE, DAMAN
DEPARTMENT OF ELECTRICAL ENGINEERING
BASIC ELECTRICAL ENGINEERING LABORATORY

VERIFICATION OF THEVENIN THEOREM

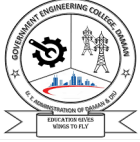


Basic Details: -

SUPPLY: 0-20 V DC

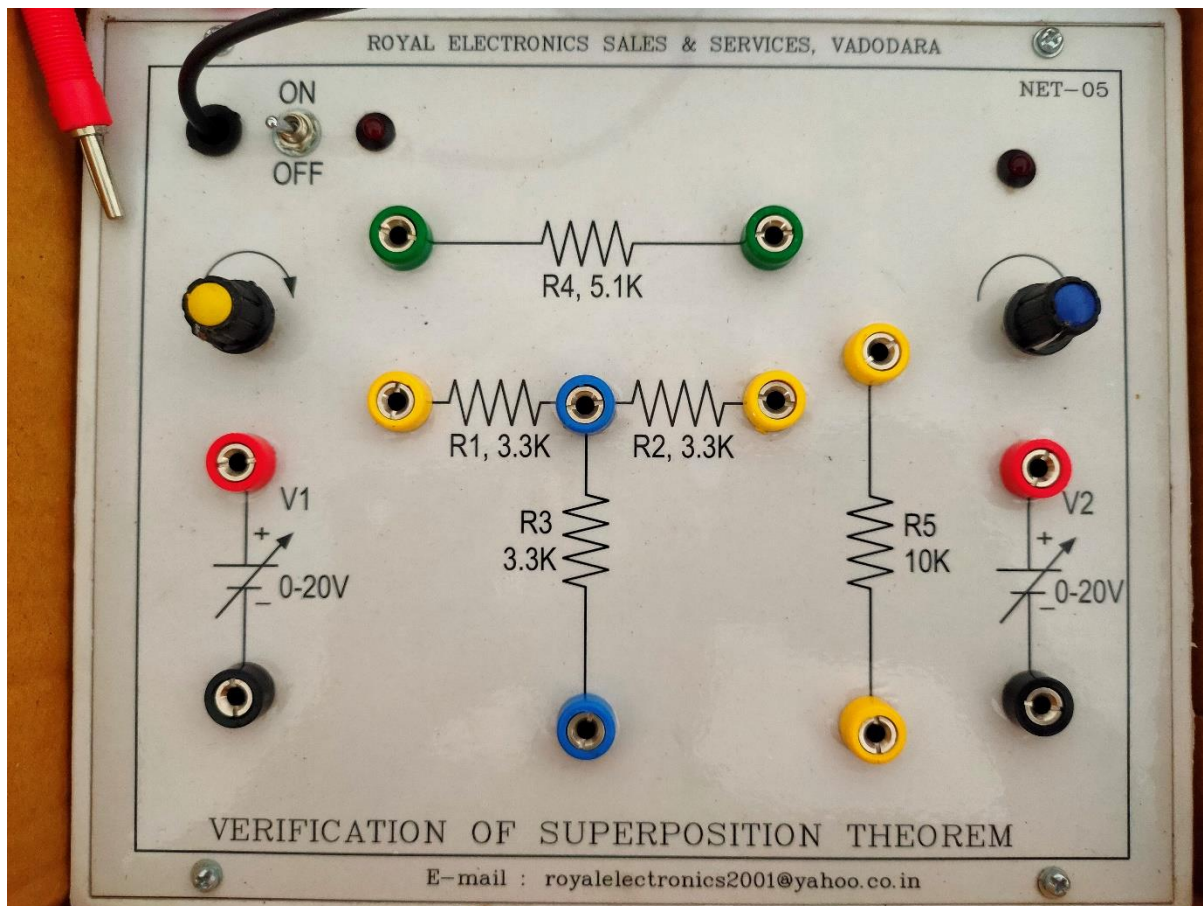
Resistance : 4 nos 3.3 k Ω , 0-5 k Ω

Thevenin's theorem can be verified.



GOVERNMENT ENGINEERING COLLEGE, DAMAN
DEPARTMENT OF ELECTRICAL ENGINEERING
BASIC ELECTRICAL ENGINEERING LABORATORY

SUPERPOSITION THEOREM



Basic Details: -

SUPPLY: 0-20 V DC

Resistance : 4 nos 3.3 k Ω , 5.1k Ω , 10 k Ω

Superposition theorem can be verified